

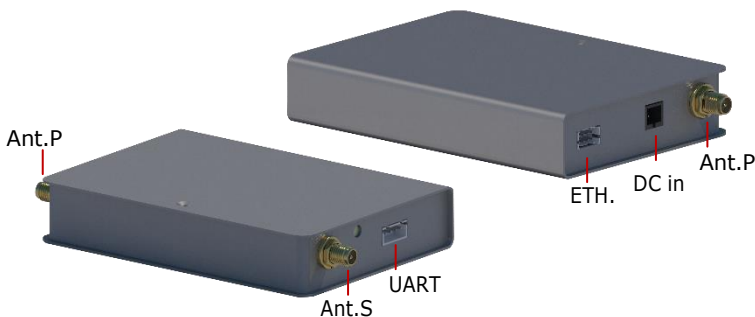


Unmanned Vehicle Radio Specification

Wireless	UVNP4005R-28	UVNP4001R-27
Frequency range	2200 - 2560 MHz	4900 - 6100 MHz
Output power	28 dBm ± 1.5 dB	27 dBm ± 1.5 dB
Channel bandwidth	2.5 - 40 MHz	2.5 - 40 MHz
Operating RF channel	ONE	ONE
Modulation	CCK, DSSS, HT-OFDM	HT-OFDM
Sensitivity	Varying between -96 dBm ± 1 dB and -73 dBm ± 2 dB	
Antenna system	2x2 MIMO	2x2 MIMO
Max. Physical Layer Data Rate	300 Mbps	300 Mbps
Operating mode	Mesh Ad-Hoc	Mesh Ad-Hoc
Ant. connector	Type SMA Female x 2 Type TNC Female for option	Type SMA Female x 2
Interfaces (Waterproof, SnapLatch connector)	3 pins (DC In) 9 pins (Ethernet) 6 pins (Serial Data & Reset)	3 pins (DC In) 9 pins (Ethernet) 6 pins (Serial Data & Reset)
Input Voltage	12 - 24 VDC	12 - 24 VDC
Power consumption	Max. 12 W	Max. 12 W
Weight	340 g	340 g
Dimension	125 x 92 x 30, mm	125 x 92 x 30, mm
Waterproof	IP67	IP67

Ordering information

ANTV2225G9D-M-NF 2200 – 2500 MHz 9dBi 2x2 MIMO Omni-directional antenna
 ANTV4959G10D-M-NF 4900 – 5900 MHz 10dBi 2x2 MIMO Omni-directional antenna



Ordering information:
 Interfaces of Drone radio (0.5 W ver.)
 Dimension, 10.6 x 7.5 x 1.9 cm



Interfaces of Ground station (0.5 W ver.)

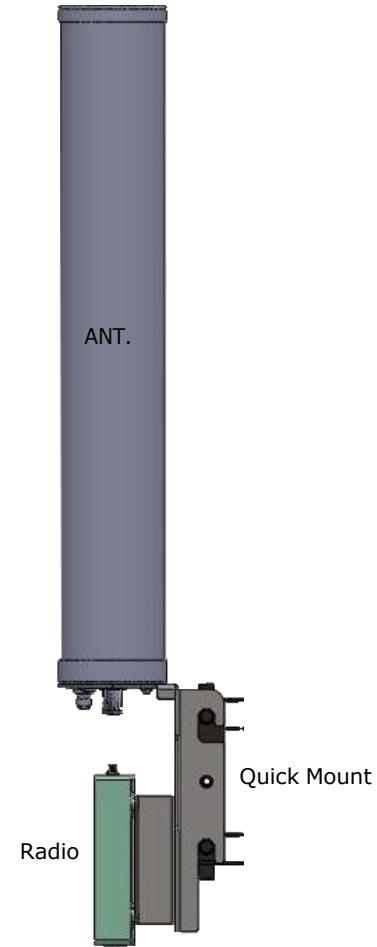
C Band 5000 MHz – 5900 MHz Omni-Directional Ground Station Antenna

Electrical Specification, ANTV4959G10D-M-NF

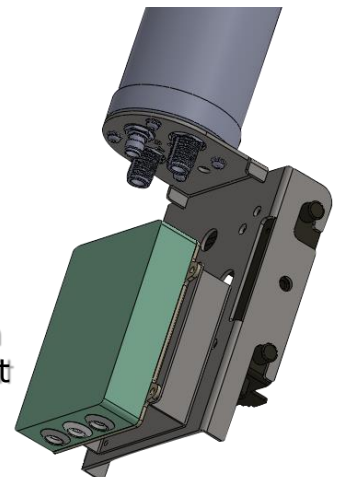
Frequency Band	4900 – 5900 MHz
Gain	2 x 10 dBi
Nominal Impedance	50 Ω
VSWR	$\leq 2.0:1$
Polarization	Horizontal & Vertical
HPBW-Azimuth	360°
HPBW- Elevation	10°
Port to Port Isolation	30 dB typ.
Max. Power Handling	20 W
Operating Temperature	-40 °C ~ +70 °C
Lightning Protection	DC Grounded

Mechanical Specification

Connector	2 x N-Type, Female
Length	≤ 420 mm
Diameter	$\leq \Phi 90$ mm
Weight	< 2.0 Kg
Radome Material	FRP
Wind Survival	200 Km/h
IP Rating	IP 67
Wind Load @ 150 Km/h	Side: 65 N
Color	Gray (or customer specified)
Mounting	MT-004 Mounting Bracket, on pole $\Phi 40 \sim 60$ mm



Ground station
Quick Mount kit



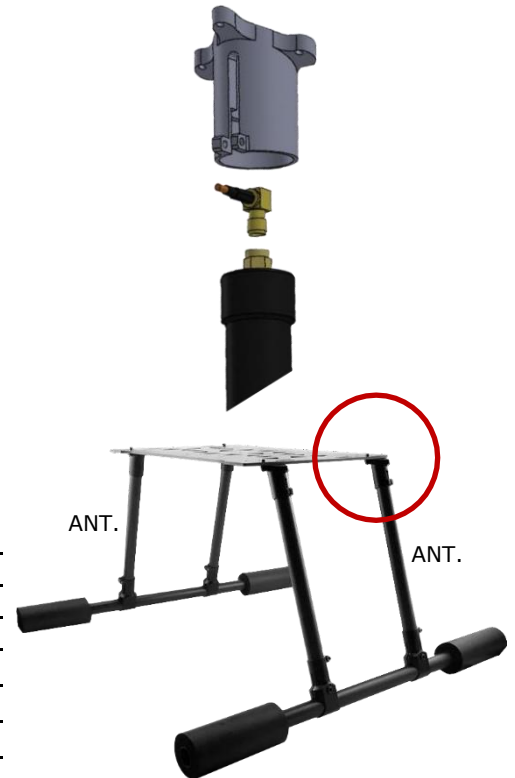
C Band 5000 MHz – 5900 MHz Omni-Directional Drone Antenna

Electrical Specification, ANTV5059G5H-M-SM

Frequency Band	5000 - 5900 MHz
Gain	≥ 5 dBi 5.2 dBi @ 5000 MHz 6.1 dBi @ 5500 MHz 5.4 dBi @ 5900 MHz
Nominal Impedance	50 Ω
VSWR	$\leq 2.0 : 1$
Polarization	Linear, Horizontal
HPBW-Azimuth	360°
HPBW- Elevation	40° (Approx.)
Max. Power Handling	10 W
Operating Temperature	-40 °C ~ +70 °C

Mechanical Specification

Connector	SMA, Male (Non-Rotating)
Length	280 \pm 5 mm
Diameter	Φ 22.2 \pm 0.5 mm
Weight	\leq 100 g
Radome Materials	GFRP
Color	Matte Black
Mounting	Connector mode locking



5 GHz 2x2 MIMO Omni-directional system

Ordering info:

ANTV5059G5V-M-SM, C Band Vertical Polarized Omni-Directional Drone Antenna, Φ 19.6 \pm 0.5 mm

